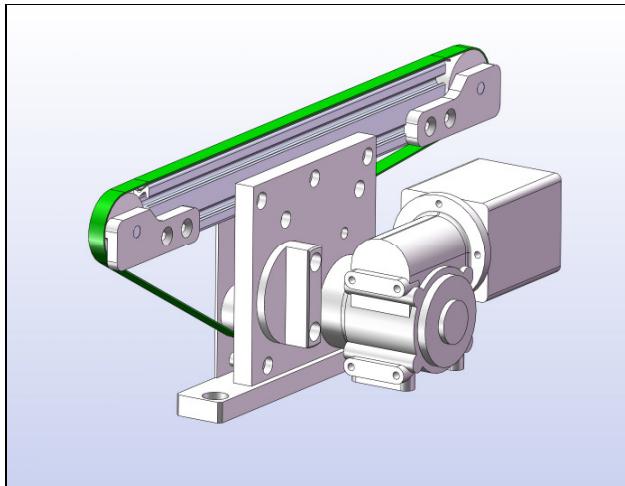


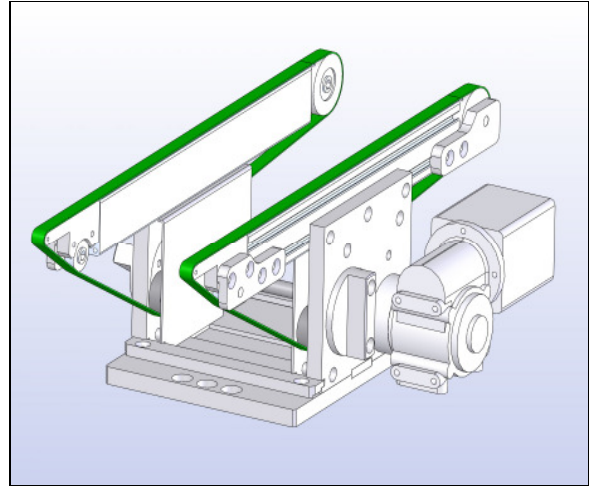
# Small transport belts

## Single-lane, double-lane

As a specialist for the transport and feeding of small parts of all kinds, the company SIM produces single-lane and double-lane small transport belts in different versions.



Small transport belt, single-lane,  
turn roller / turn roller



Small transport belt, double-lane,  
blade edge / turn roller

Technical specifications	Single-lane (STB)	Double-lane (DTB)
Lengths (center distance) [mm]	350; 450; 550; 650; 750; 850; 950; 1050; 1250; 1450; 1650; 1850; 2050	450; 550; 650; 750; 850; 950; 1050; 1250; 1450; 1650; 1850; 2050
Frame width [mm]	10; 20; 40	10; 20
Belt speeds [m/min]	V1=10 m/min, V2=20 m/min The speed is reversible and can be controlled by means of the RGB-BL controller with DC motor (GM) and by frequency converter with 3-phase motor (DM)	
Drives	Standard: Brushless DC motor 24V, 30W Alternative: 3-phase motor 230/400 V/50 Hz (60 Hz); 31W	
Motor position	possible stepless along the profile	
maximum weight transported [kg]	5	
Support material	Supporting profile item, series 5; stainless steel sliding plate	
Belt types	five options, according to requirements, also with FDA-licence	

**For more details and dimensional charts, see our catalog.**

Special solutions available on request.

**Contact:** Mail: [info@sim-automation.de](mailto:info@sim-automation.de), Phone: +49 (0) 3606 /690-474